

**WIRING DIAGRAM OF HOT & COLD DRINKS:
(18 LOAD)
(PMV5293_1V1)**

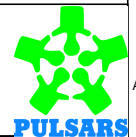
**T0 CN4 OF WATER LEVEL
SENSOR PCB
(PLS9636_1V1)**

**PROGRAMMING MODE
(INTERNAL MENU KEY)**

**BUZZER
COMPRESSOR
(COLD)**

**TO
LCD**

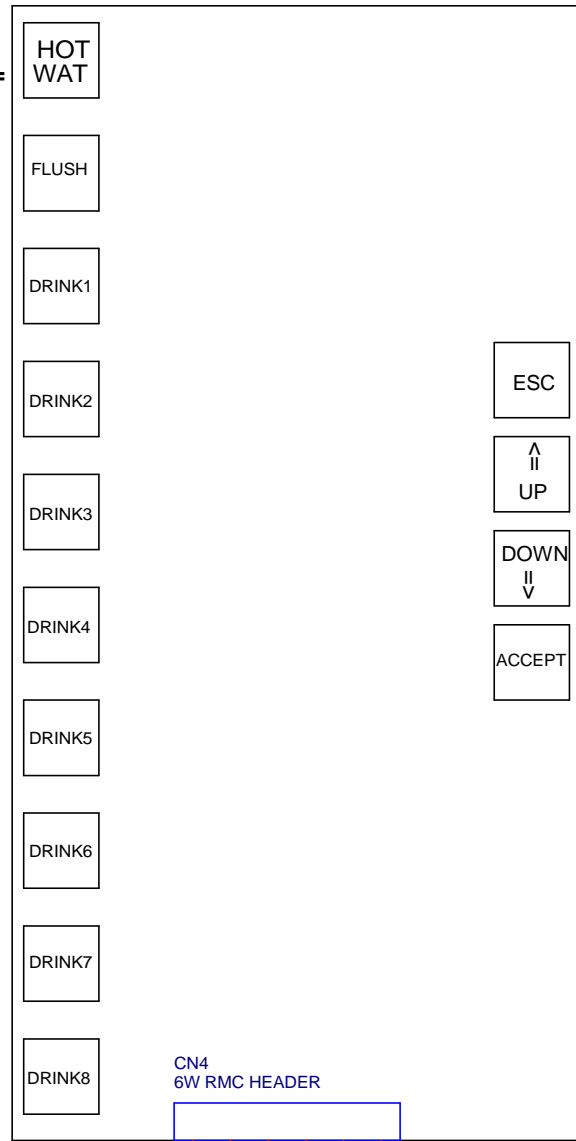
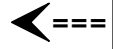
PULSARS,
#14, SIDCO Industrial Estate,
Thirumudivakkam,
Chennai-600 044, India
Ph-044 2478 3099



Title WIRING DIAGRAM OF HOT & COLD DRINKS (18 LOAD)		
Size A4	Document Number PMV5293 (AC8_HC_01_1W2)	Rev 1V1
Date: Thursday, May 31, 2007	Sheet 1	of 1

PMV9700_1V4(TEN + FOUR)

HOT WATER &
COUNT, TEMP
DISPLAY



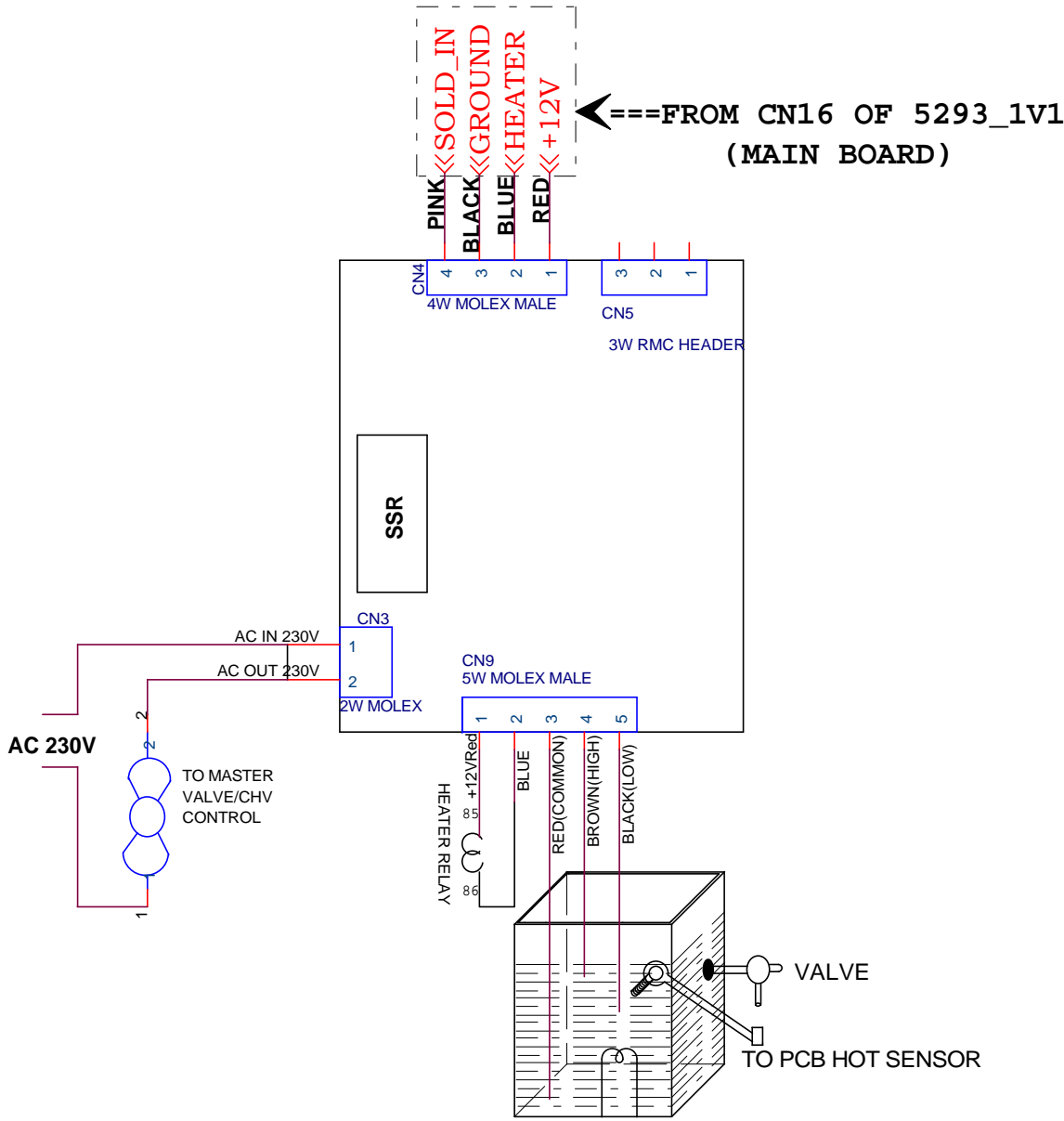
TO MAIN BOARD (PMV5293_1V1)

PULSARS,
#14, SIDCO Industrial Estate,
Thirumudivakkam,
Chennai-600 044, India
Ph-044 2478 3099

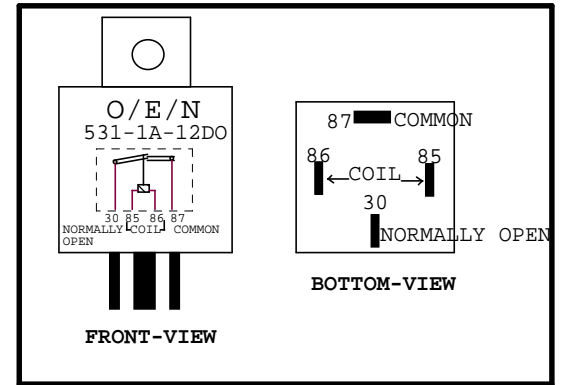


Title		
WIRING DIAGRAM FOR KEYBOARD		
Size	Document Number	Rev
A4	PMV9700	1V4
Date:	Thursday, May 31, 2007	Sheet 1 of 1

WATER LEVEL SENSOR-VENDING:



HEATER-RELAY DETAILS :



PULSARS,
 #14, SIDCO Industrial Estate,
 Thirumudivakkam,
 Chennai-600 044, India
 Ph-044 2478 3099



Title
WIRING DIAGRAM FOR WATER LEVEL SENSING BOARD

Size A4	Document Number PLS9636	Rev 1V1
------------	----------------------------	------------

Date: Thursday, May 31, 2007 Sheet 1 of 1